

Powered by



GPL 12400 ▶ 12V 40Ah

GPL 12400 is a general purpose battery up to 10 years in standby service or more than 260 cycles at 100% discharge in cycle service . As with all CSB batteries, all are rechargeable , highly efficient , leak proof and maintenance free.



► Specification

Cells Per Unit	6
Voltage Per Unit	12
Capacity	40 Ah @ 20hr-rate to 1.75V per cell @25°C (77°F)
Weight	Approx.14.5 kg(32.0 lbs)
Maximum Discharge Current	400A(5sec)
Internal Resistance	Approx.7 m?
Operating Temperature Range	Discharge: -15°C~50°C (5°F~122°F) Charge: -15°C~40°C (5°F~104°F) Storage: -15°C~40°C (5°F~104°F)
Nominal Operating Temperature Range	25°C±3°C (77°F±5°F)
Float Charging Voltage	13.5 to 13.8 VDC/unit Average at 25°C (77°F)
Recommended Maximum Charging Current Limit	12 A
Equalization and Cycle Service	14.4 to 15.0 VDC/unit Average at 25°C (77°F)
Self Discharge	CSB Batteries can be stored for more than 6 months at 25°C (77°F). Please charge batteries before using . For higher temperatures the time interval will be shorter.
Terminal	L terminal:B2 or Recessed type to accept M6 bolt
Container Material	ABS(UL 94-HB/File E50263)*Flammability resistance of (UL 94-V0/File E88637) can be available upon request.



MH14533(N)



ISO9001
No.:041005117



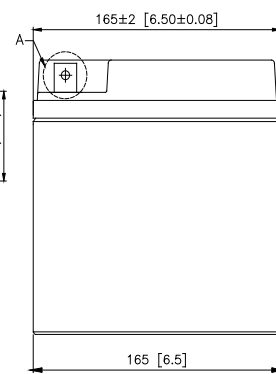
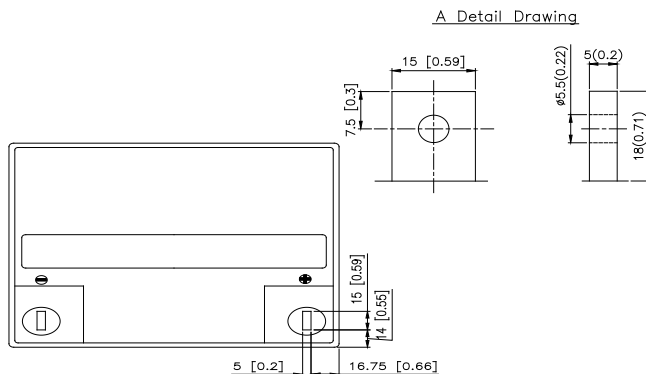
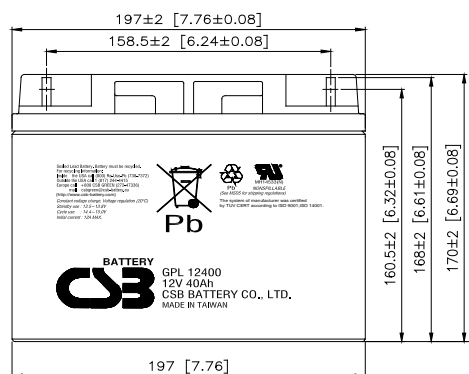
ISO 14001
NO.UM 1-12-0045

CSB-manufactured VRLA batteries are UL-recognized components under UL924 and UL1989.

CSB is also certified by ISO9001 and ISO14001.

► Dimensions :

Unit: mm (inch)	Overall Height (H)	Container height (h)	Length (L)	Width (W)
	170±2 (6.69±0.08)	168.5±2 (6.63±0.08)	197±2 (7.76±0.08)	165±2 (6.5±0.08)



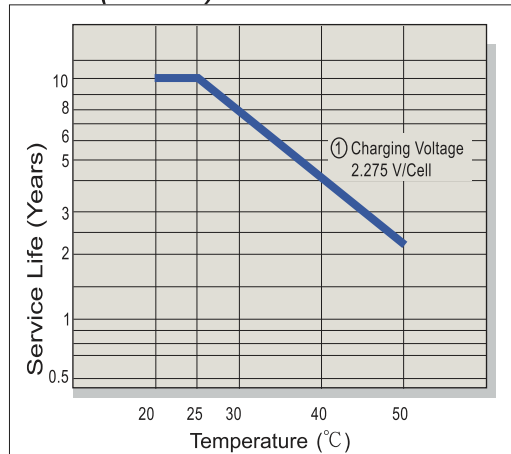
Constant Current Discharge Characteristics Unit:A (25°C,77°F)

F.V/Time	5MIN	10MIN	15MIN	30MIN	60MIN	90MIN	2HR	3HR	5HR	8HR	10HR	20HR
1.60V	162	103.5	78.2	47.7	28.1	20.4	16.3	11.6	7.36	4.83	3.93	2.03
1.67V	145	96.5	74.5	46.7	27.9	20.3	16.2	11.5	7.34	4.77	3.85	1.94
1.70V	137	92.8	72.4	46.1	27.8	20.2	16.1	11.4	7.32	4.75	3.82	1.91
1.75V	124	87.4	69.5	45.0	27.6	20.1	16.0	11.3	7.29	4.69	3.76	1.84
1.80V	111	81.3	65.9	43.8	27.4	19.9	15.9	11.2	7.25	4.62	3.70	1.77
1.85V	98.1	75.1	62.4	42.5	27.0	19.8	15.8	11.1	7.22	4.56	3.64	1.70

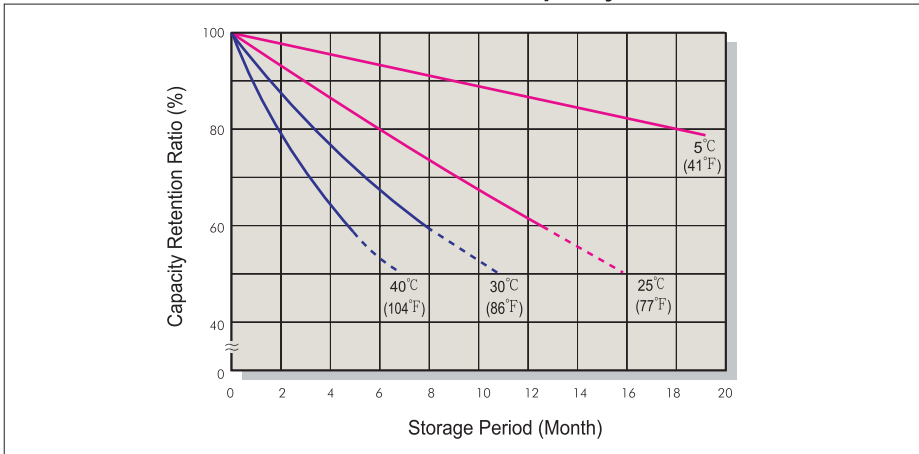
Constant Power Discharge Characteristics Unit:W (25°C,77°F)

F.V/Time	5MIN	10MIN	15MIN	30MIN	60MIN	90MIN	2HR	3HR	5HR	8HR	10HR	20HR
1.60V	1941	1242	938	572	338	245	195	139	88.4	58.0	47.2	24.4
1.67V	1735	1158	895	558	335	243	194	138	88.1	57.3	46.4	23.3
1.70V	1647	1117	869	552	334	242	193	137	87.9	57.0	46.0	22.9
1.75V	1490	1049	830	539	331	241	192	136	87.5	56.3	45.2	22.1
1.80V	1334	975	791	525	328	239	191	135	87.2	55.6	44.4	21.3
1.85V	1178	902	749	510	324	238	190	134	86.7	54.8	43.7	20.6

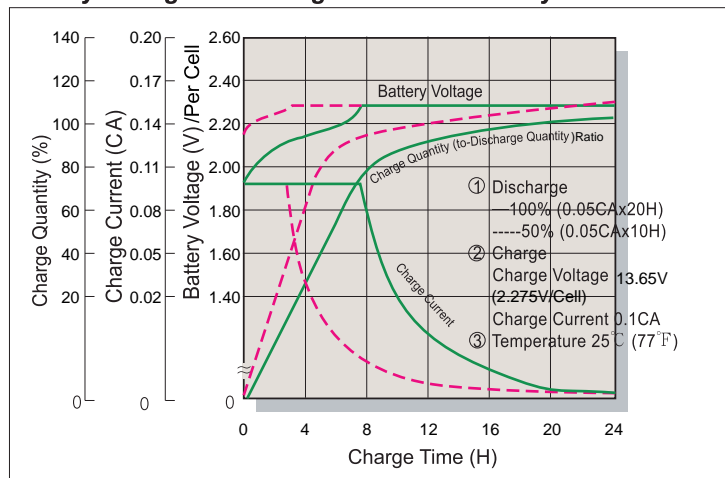
Trickle (or Float) Service Life



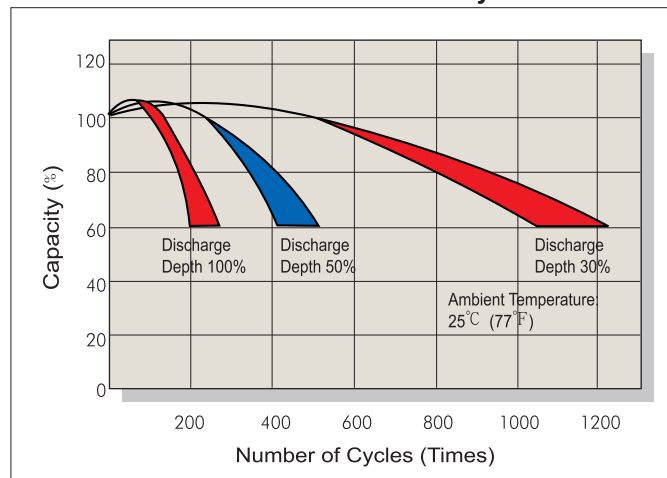
Capacity Retention Characteristic



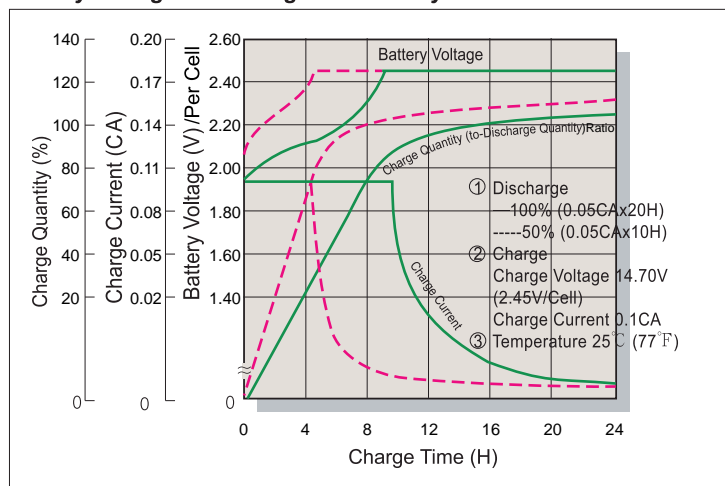
Battery Voltage and Charge Time for Standby Use



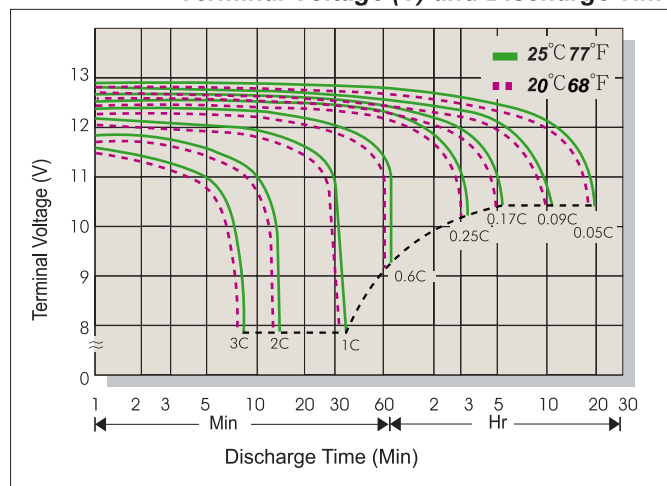
Cycle Service Life



Battery Voltage and Charge Time for Cycle Use



Terminal Voltage (V) and Discharge Time



Charging Procedures

Application	Charge Voltage (V/Cell)		Max. Charge Current
	Temperature	Set Point Allowable Range	
Cycle Use	25°C (77°F)	2.45 2.40~2.50	0.3C
Standby	25°C (77°F)	2.275 2.25~2.30	

Discharge Current VS. Discharge Voltage

Final Discharge Voltage V/Cell	1.75	1.70	1.60	1.30
Discharge Current (A)	0.2C > (A)	0.2C < (A)	0.5C < (A)	0.5C < (A) < 1.0C > 1.0C

Sales Office URL: WWW.CSB-BATTERY.COM

GLOBAL HQ
 CSB BATTERY CO., LTD. (TAIWAN)
 Tel : +886-2-2880-5600
 Fax : +886-2-2888-3300
 mail : service@csb-battery.com.tw

BEIJING OFFICE. (CHINA)
 CSB BATTERY TECHNOLOGIES (BEIJING) CO., LTD.
 Tel : +86-10-5820-5336/5338
 Fax : +86-10-58203053
 mail : chinasl@csb-battery.com

AMERICA HQ
 CSB BATTERY TECHNOLOGIES INC. (U.S.A)
 Tel : +1-817-244-7777/1-(800)3-CSB-USA(272872)
 Fax : +1-817-244-4445
 mail : csb@csb-battery.com

SHANGHAI OFFICE. (CHINA)
 CSB BATTERY LOGISTIC (SHANGHAI) CO., LTD.
 Tel : +86-21-5046-1622/5046-0833
 Fax : +86-21-5064-3314
 mail : chinasl@csb-battery.com

EUROPE HQ
 CSB Battery Europe BV.
 Tel : +31(0)-180-418-140
 Fax : +31(0)-180-418-327
 mail : eurosales@csb-battery.eu

SHENZHEN OFFICE. (CHINA)
 CSB BATTERY LOGISTIC (SHANGHAI) CO., LTD.
 Tel : +86-755-8831-6488/6396/6356
 Fax : +86-755-8831-6548
 mail : she@csb-battery.com.cn